

SERVICE INFORMATION LETTER

Subject: Spur Gear ID too small causing difficult installation.

1. Planning

a. Effectivity

Wencor P/N	NHA P/N	NHA Description	ATA	Engine Application
364437-1WE	3505448-X 3505582-X 384022-X	Air Turbine Starter	80-11-11 80-11-37 80-13-01	CF6 Series CFM56 Series

b. Reason:

The Wencor Spur Gear was designed with an ID as shown below in Figure 1, which creates a tight fit onto the ATS Turbine Shaft during installation as shown in Figure 2.

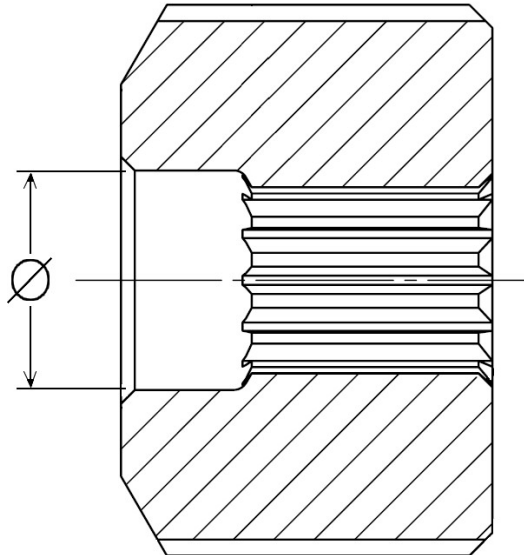


Figure 1, Wencor Spur Gear Cross Section View

Revision: Original
 Date: May 14, 2013

Service Information Letter No: 130514-001
 Page 1 of 3



1625 North 1100 West
Springville, UT 84663
801-489-2000

c. Background

The Wencor Spur Gear was designed for an interference fit (.0024 inches max) between the ID of the Spur Gear and the OD of the Turbine Shaft. Due to the small ID on the Wencor Spur Gear and depending upon the OD size of the Turbine Shaft, the installation may require the aid of press tooling or heating of the Spur Gear to fully assembly onto the Turbine Shaft. The component maintenance manual (CMM) does not call out any tooling or heating of the Spur Gear for this assembly process.

The Wencor Spur Gear has been redesigned with a slightly larger ID to create a transition fit, which matches the current design philosophy and allow assembly as described in the CMM.

d. Safety

This condition does not affect aircraft safety.

2. Recommendations

Any Wencor Spur Gear that is currently uninstalled that has the condition described in this SIL may be returned to Wencor for free of charge replacement with the redesigned Spur Gear.

However, any Wencor Spur Gear that is currently installed and in-service that have the condition described in the SIL may remain in service at the discretion of the end user without any change in aircraft safety.

3. Compliance

There is no compliance time frame for this SIL.

4. Material

Wencor Spur Gear's that require replacement as a result of this Service Information Letter will be covered free of charge under the Wencor material warranty. If there are any questions regarding this Service Information Letter, please contact the applicable Wencor sales representative by calling 801-489-2000 or email: sales@wencor.com. For technical questions please contact Jon Bies at jbies@wencor.com.

Revision: Original
Date: May 14, 2013

Service Information Letter No: 130514-001
Page 2 of 3

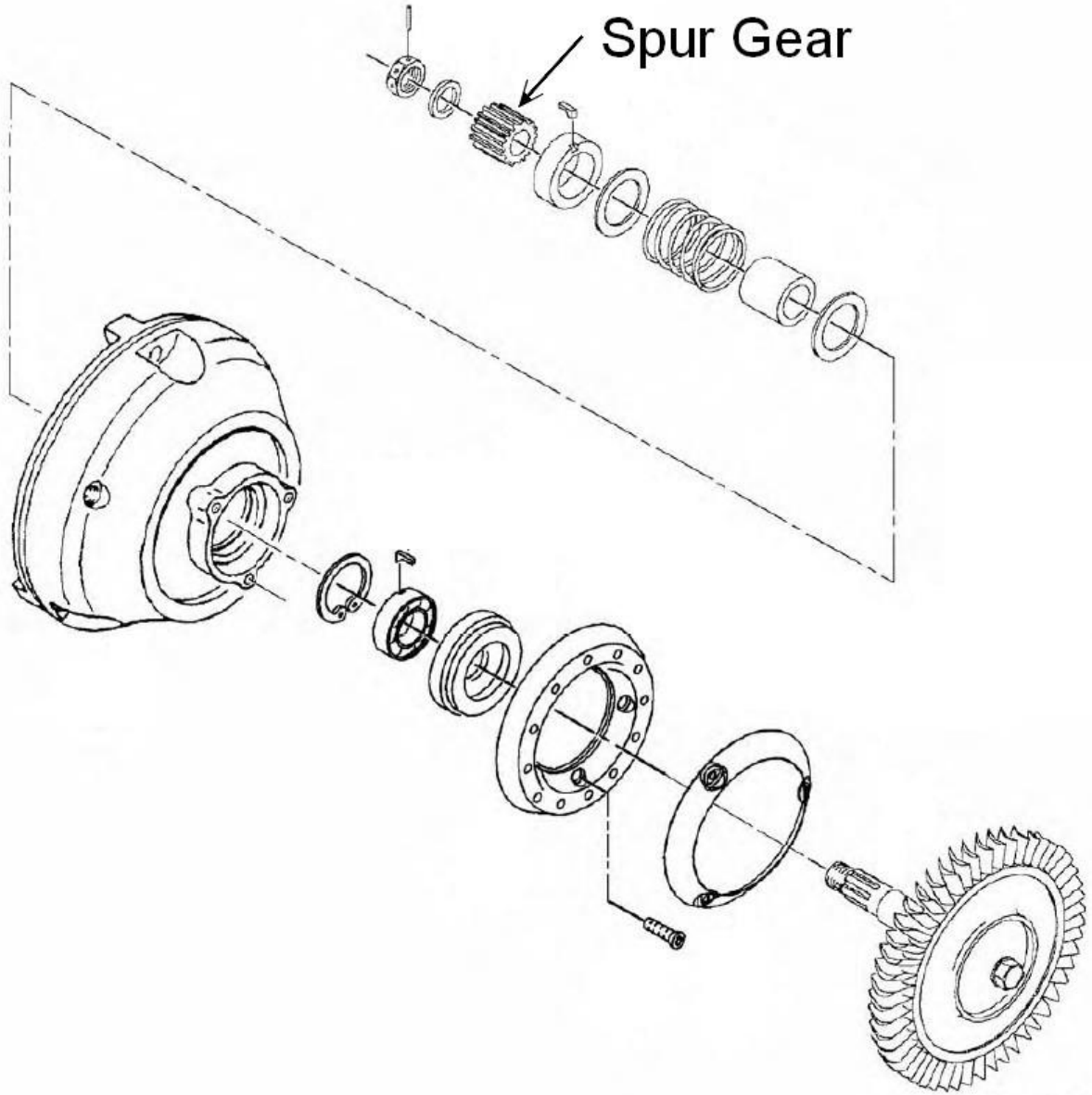


Figure 2, Exploded View of Spur Gear Installation